

RackPower AC/DC MCB Distribution Board Data & Installation Sheet

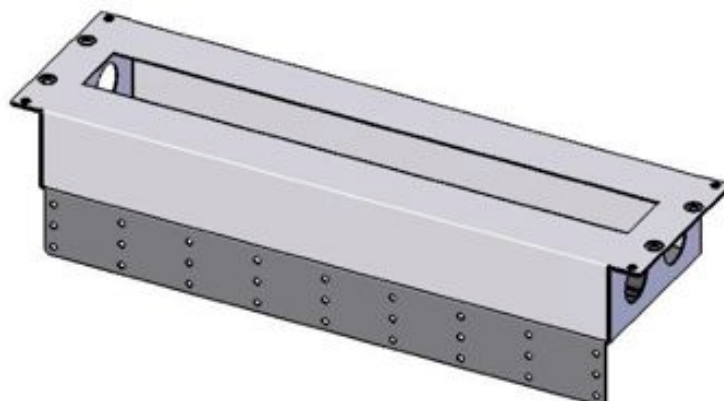
19" 3U AC/DC Distribution Board

<p>Product Description</p> <p>19" 3U Distribution Board 12 pole and 24 pole</p>
<p>Product Code</p> <p>MD05 – 12 pole standard, without optional extras MD01 – 24 pole standard, without optional extras</p>
<p>Product Components</p> <p>1 x 19" 3U Front Panel – Removable 1 x 19" 3U Rear Panel – remains fixed to 19" angles when front panel removed 1 x Din Rail full width – fitted 8 x cable entry protect Polythene Grommets 3 x Pole Fillers 7.5 way 8 x M6x12 Pan Pozi MT Zinc plated screws 8 x M6 Cage Nuts ZP for 0.71-1.63 panel thickness 19" angles</p>
<p>Optional:</p> <ul style="list-style-type: none"> • Brass isolated busbars 12 way numbered, double M5 screw, 1 x M8 stud 165A • 12 way or 24 way comb busbar(s) • Insulated 25mm² comb busbar connectors • MCB's to site requirements.

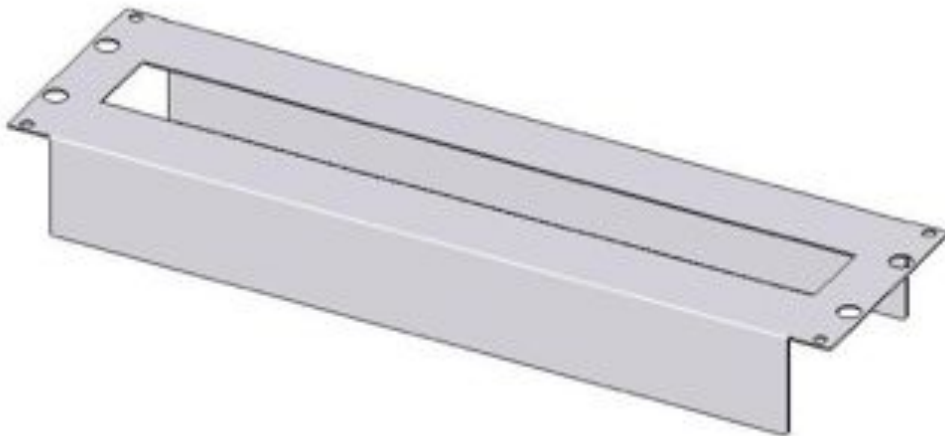
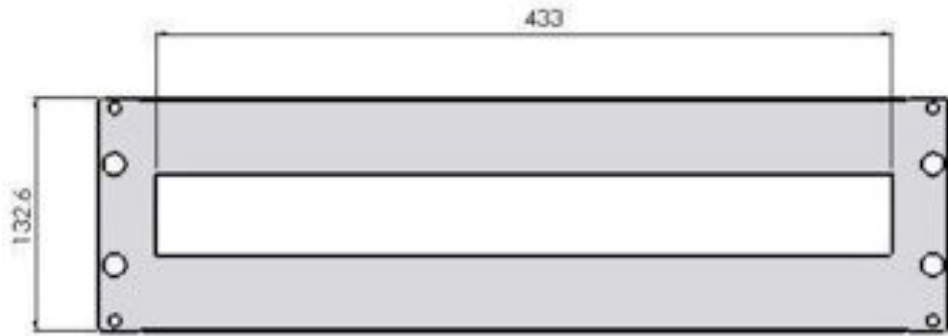
View of typical finished product with optional MCB's fitted



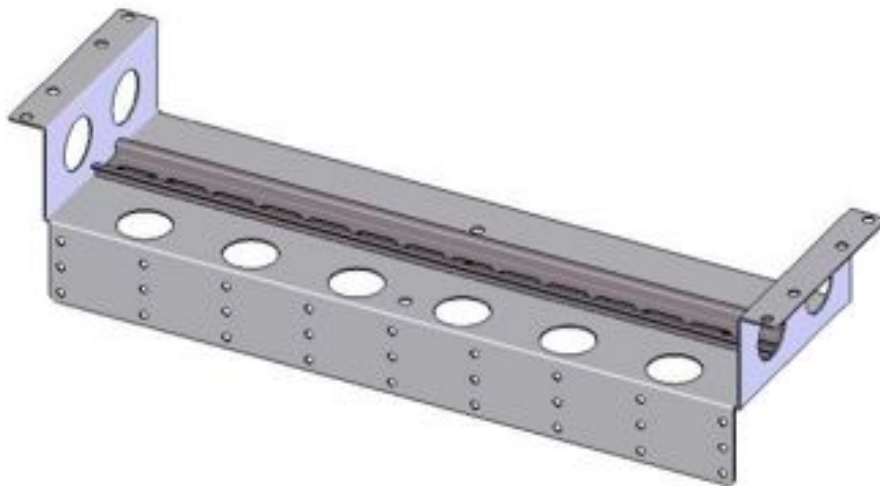
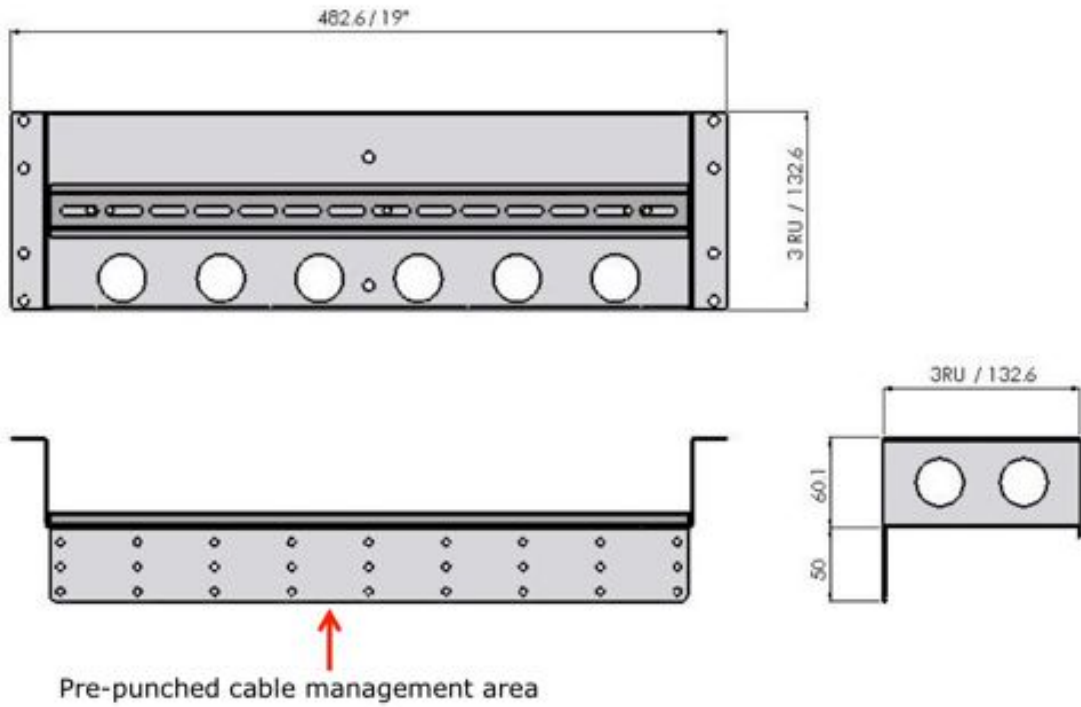
View of assembled 3U empty Front and Rear Panels



3U Front Panel Dimensions



3U Rear panel dimensions with fitted Din Rail



19" 4U AC/DC MCB Distribution Board

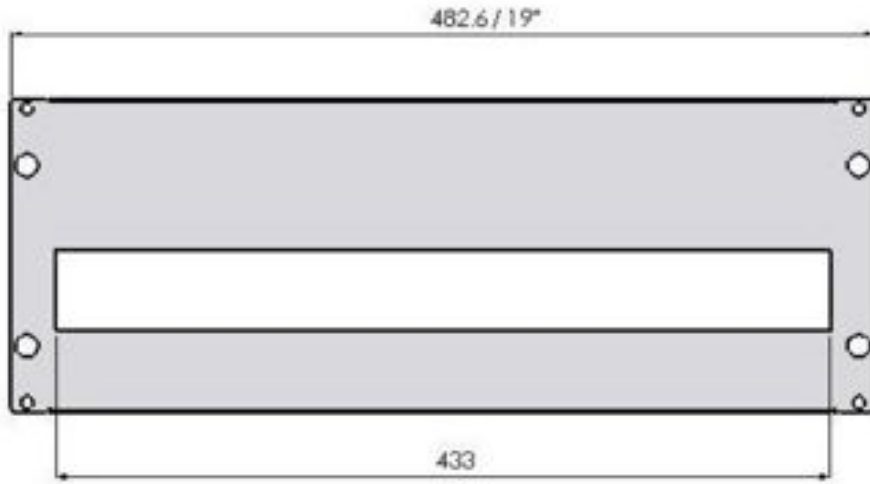
<p>Product Description</p> <p>19" 4U Distribution Board 24 pole</p>
<p>Product Code</p> <p>MD09 – standard without optional extras</p>
<p>Product Components</p> <p>1 x 19" 4U Front Panel – Removable 1 x 19" 4U Rear Panel – remains fixed to 19" angles when front panel removed 1 x Din Rail full width – fitted 8 x cable entry protect Polythene Grommets 3 x Pole Fillers 7.5 way 8 x M6x12 Pan Pozi MT Zinc plated screws 8 x M6 Cage Nuts ZP for 0.71-1.63 panel thickness 19" angles</p>
<p>Optional:</p> <ul style="list-style-type: none"> • Brass isolated busbars 12 way numbered, double M5 screw, 2 x M8 stud 165A • 12 way or 24 way comb busbar(s) • Insulated 25mm² comb busbar connectors • MCB's to site requirements.

View of typical finished product with optional MCB's and Brass Busbar fitted

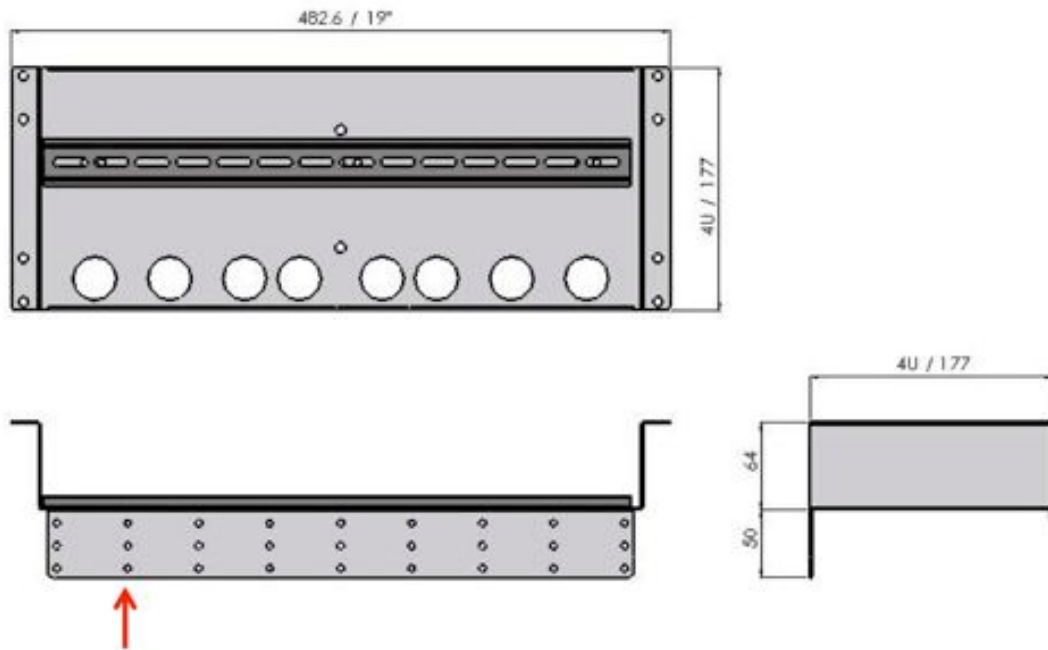


1 x Brass isolated mount Busbar, 12w double M5 screw, (providing 24 x 5mm diameter tunnels for wire termination), numbered 1 – 12, with 2 of M8 studs for termination, 165A rating – fitted on rear face. Brass busbars can be mounted vertically or horizontally, on rear face or inside.

4U Front Panel Dimensions



4U Rear panel dimensions showing fitted Din Rail



Pre-punched cable management area

